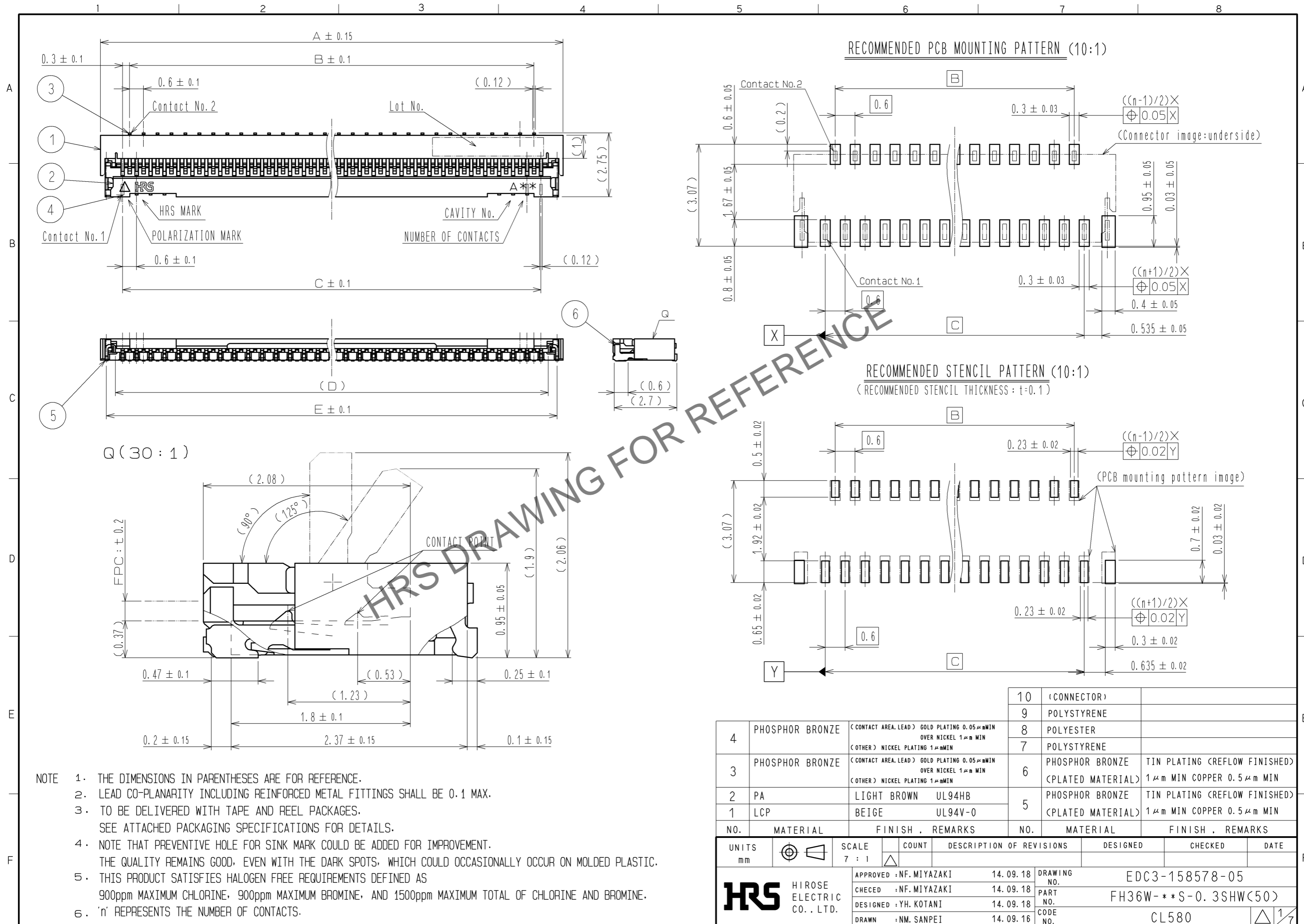


Mar.1.2024 Copyright 2024 HIROSE ELECTRIC CO., LTD. All Rights Reserved.  
In case of consideration for using Automotive equipment / device which demand high reliability, kindly contact our sales window correspondents.



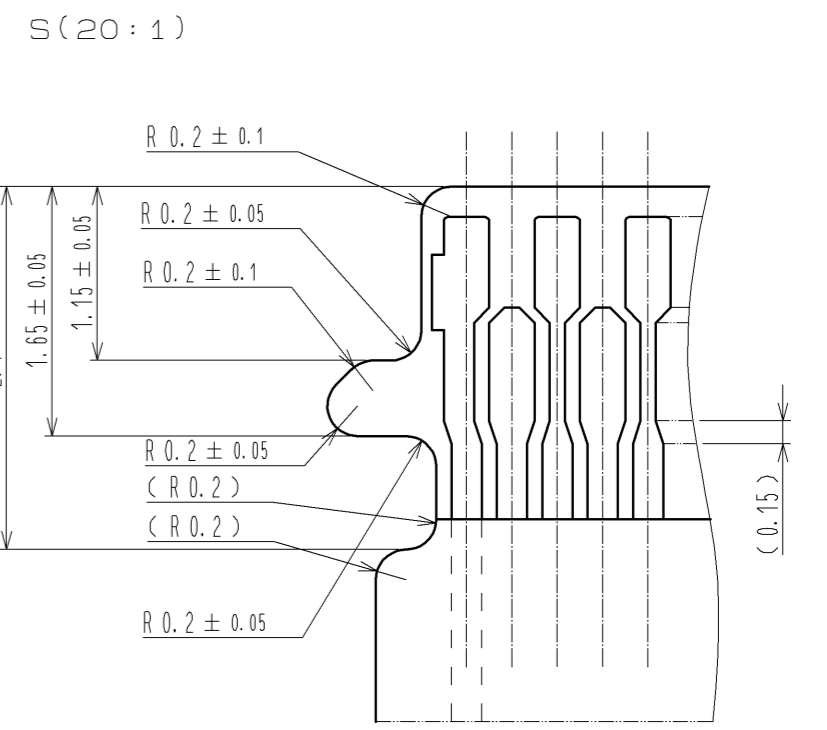
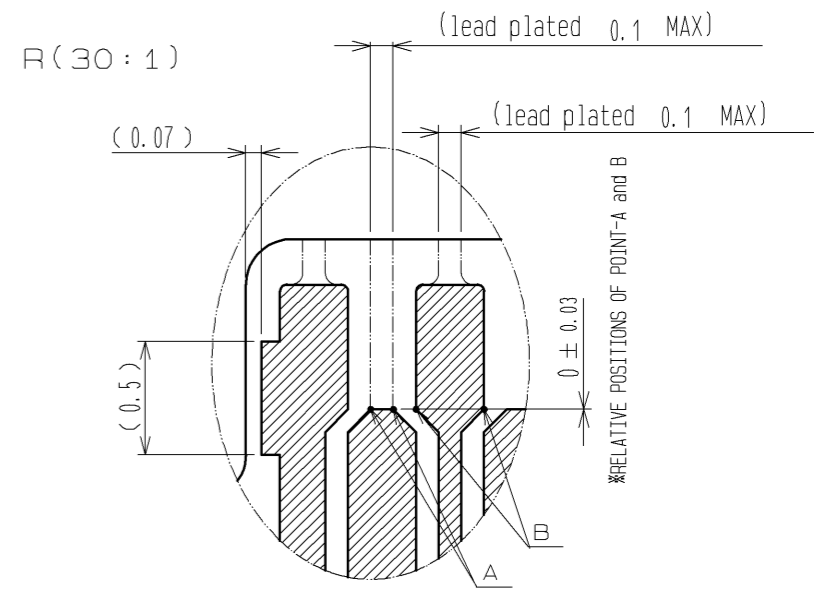
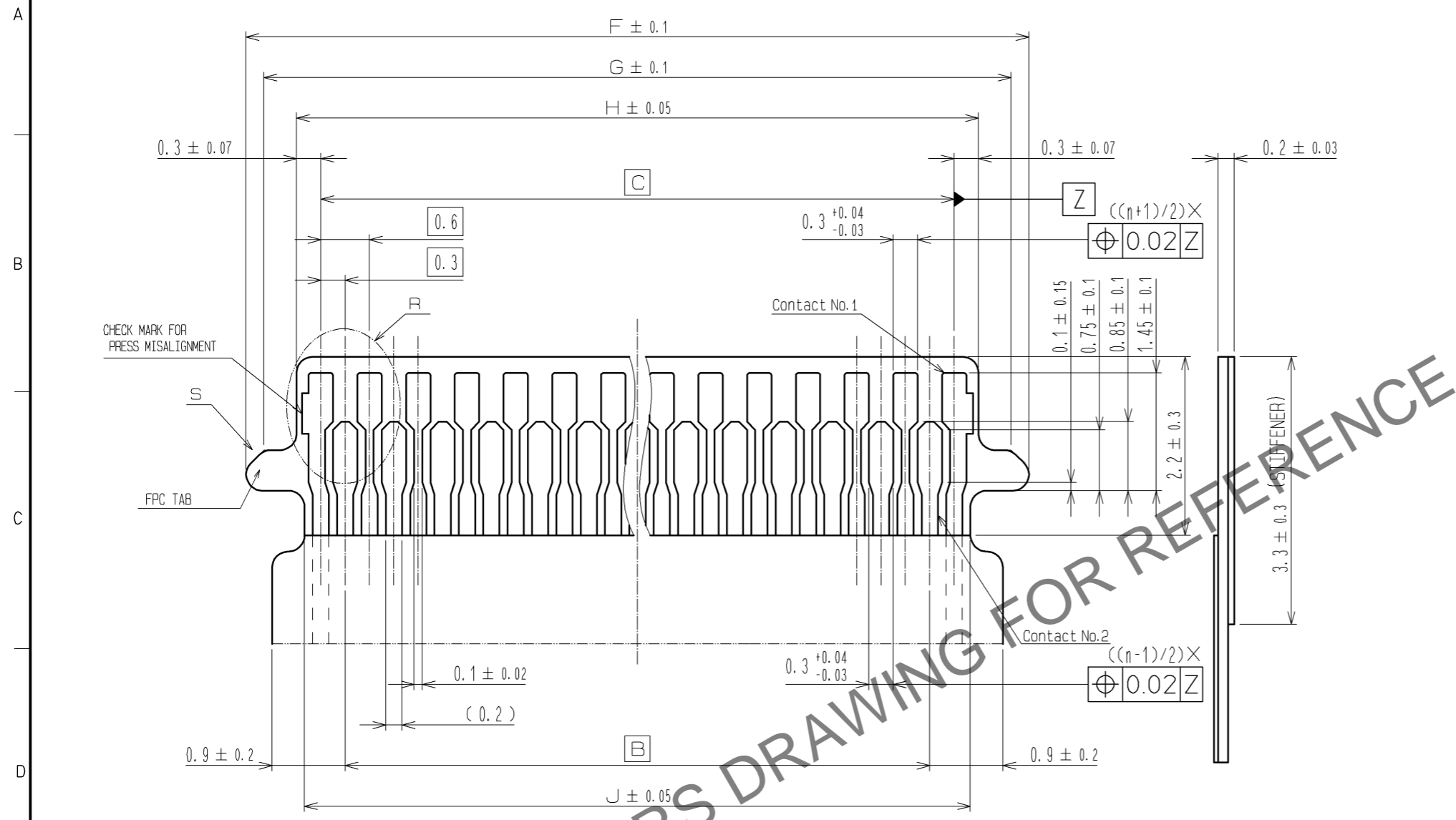
- NOTE
1. THE DIMENSIONS IN PARENTHESES ARE FOR REFERENCE.
  2. LEAD CO-PLANARITY INCLUDING REINFORCED METAL FITTINGS SHALL BE 0.1 MAX.
  3. TO BE DELIVERED WITH TAPE AND REEL PACKAGES.  
SEE ATTACHED PACKAGING SPECIFICATIONS FOR DETAILS.
  4. NOTE THAT PREVENTIVE HOLE FOR SINK MARK COULD BE ADDED FOR IMPROVEMENT.  
THE QUALITY REMAINS GOOD, EVEN WITH THE DARK SPOTS, WHICH COULD OCCASIONALLY OCCUR ON MOLDED PLASTIC.
  5. THIS PRODUCT SATISFIES HALOGEN FREE REQUIREMENTS DEFINED AS  
900ppm MAXIMUM CHLORINE, 900ppm MAXIMUM BROMINE, AND 1500ppm MAXIMUM TOTAL OF CHLORINE AND BROMINE.
  6. 'n' REPRESENTS THE NUMBER OF CONTACTS.

|   |                 |                                                                                                          |    |                   |                               |
|---|-----------------|----------------------------------------------------------------------------------------------------------|----|-------------------|-------------------------------|
| 4 | PHOSPHOR BRONZE | (CONTACT AREA, LEAD) GOLD PLATING 0.05 μm MIN<br>OVER NICKEL 1 μm MIN<br>(OTHER) NICKEL PLATING 1 μm MIN | 10 | (CONNECTOR)       |                               |
| 3 | PHOSPHOR BRONZE | (CONTACT AREA, LEAD) GOLD PLATING 0.05 μm MIN<br>OVER NICKEL 1 μm MIN<br>(OTHER) NICKEL PLATING 1 μm MIN | 9  | POLYSTYRENE       |                               |
| 2 | PA              | LIGHT BROWN UL94HB                                                                                       | 8  | POLYESTER         |                               |
| 1 | LCP             | BEIGE UL94V-0                                                                                            | 7  | POLYSTYRENE       |                               |
|   |                 |                                                                                                          | 6  | PHOSPHOR BRONZE   | TIN PLATING (REFLOW FINISHED) |
|   |                 |                                                                                                          | 5  | (PLATED MATERIAL) | 1 μm MIN COPPER 0.5 μm MIN    |
|   |                 |                                                                                                          |    | PHOSPHOR BRONZE   | TIN PLATING (REFLOW FINISHED) |
|   |                 |                                                                                                          |    | (PLATED MATERIAL) | 1 μm MIN COPPER 0.5 μm MIN    |

| UNITS                   | SCALE | COUNT | DESCRIPTION OF REVISIONS | DESIGNED                      | CHECKED | DATE |
|-------------------------|-------|-------|--------------------------|-------------------------------|---------|------|
| mm                      | 7 : 1 | △     |                          |                               |         |      |
| APPROVED : NF. MIYAZAKI |       |       | 14.09.18                 | DRAWING NO. EDC3-158578-05    |         |      |
| CHECKED : NF. MIYAZAKI  |       |       | 14.09.18                 | PART NO. FH36W-**S-0.3SHW(50) |         |      |
| DESIGNED : YH. KOTANI   |       |       | 14.09.18                 | CODE NO. CL580                |         |      |
| DRAWN : NM. SANPEI      |       |       | 14.09.16                 | △ 1/7                         |         |      |

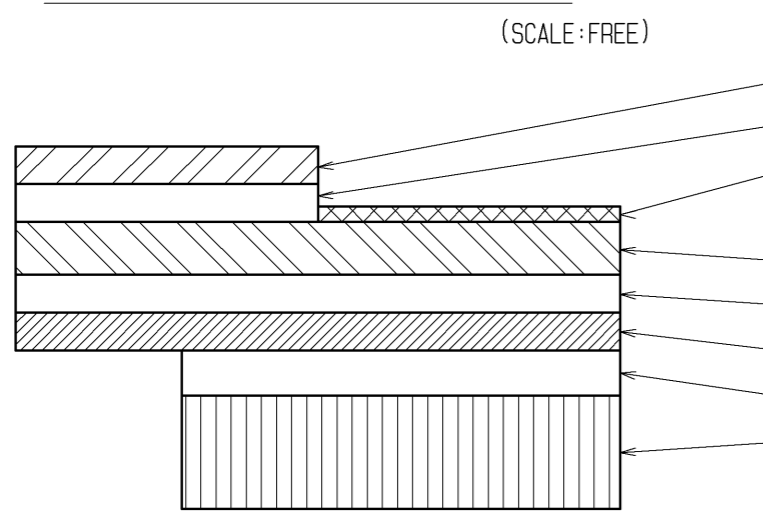
Mar.1.2024 Copyright 2024 HIROSE ELECTRIC CO., LTD. All Rights Reserved.  
In case of consideration for using Automotive equipment / device which demand high reliability, kindly contact our sales window correspondents.

RECOMMENDED FPC (SCALE:FREE)



FPC CONFIGURATION (REFERENCE EXAMPLE)

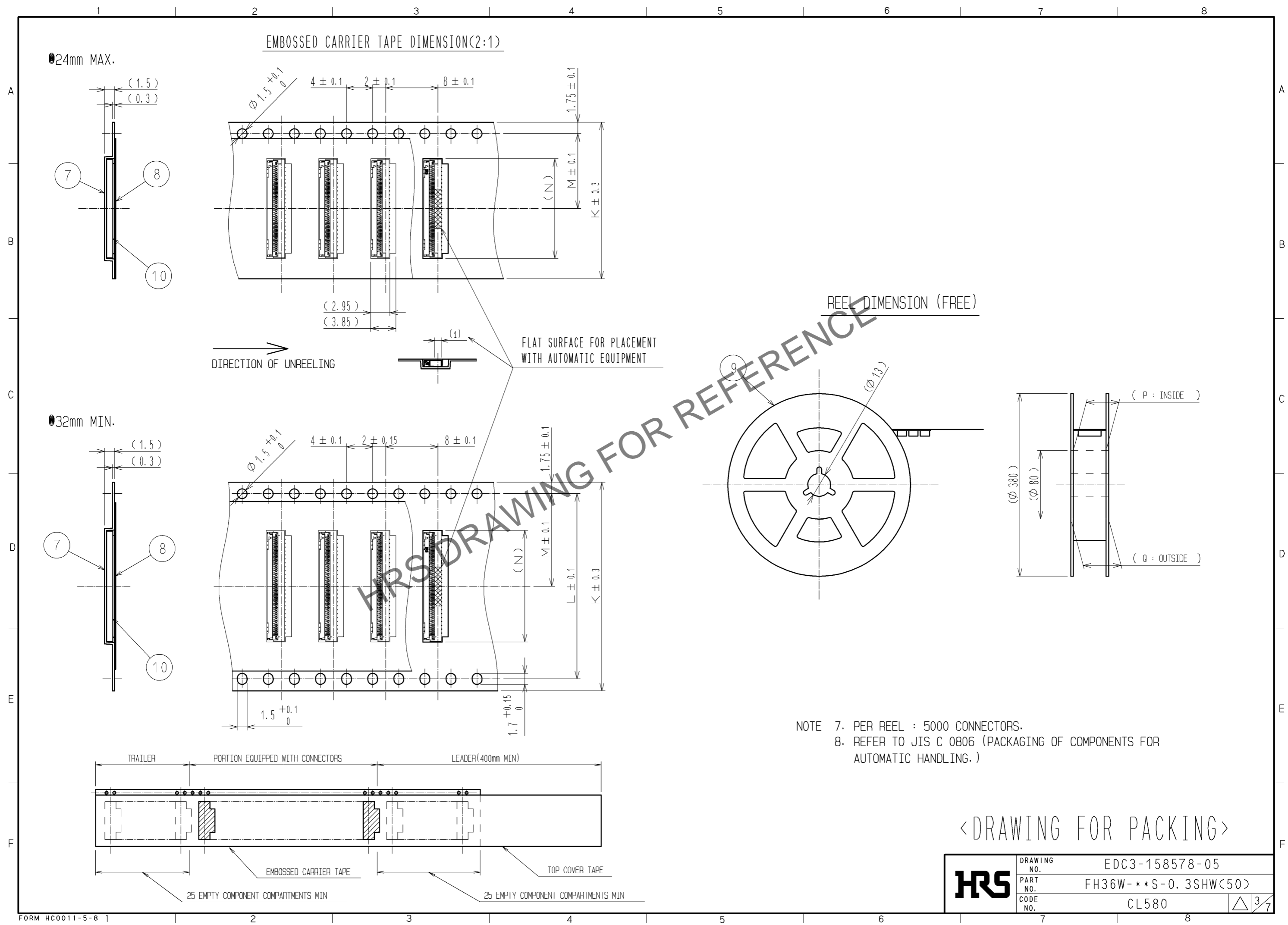
(SCALE:FREE)



| MATERIAL NAME                   | MATERIAL                                           | THICKNESS(μm) |
|---------------------------------|----------------------------------------------------|---------------|
| COVERING FILM LAYER.            | POLYIMIDE 1mil thick.                              | 25            |
| COVER ADHESIVE                  |                                                    | 25            |
| SURFACE TREATMENT               | 1μm to 5μm NICKEL UNDERPLATED<br>0.2μm GOLD PLATED | (3)           |
| COPPER FOIL                     | Cu 1 oz                                            | 35            |
| BASE ADHESIVE                   | HEAT-HARDENED ADHESIVE                             | 25            |
| BASE FILM                       | POLYIMIDE 1mil thick                               | 25            |
| REINFORCEMENT MATERIAL ADHESIVE | HEAT-HARDENED ADHESIVE                             | 40            |
| STIFFENER                       | POLYIMIDE 3mil thick                               | 75            |

|            |             |                      |
|------------|-------------|----------------------|
| <b>HRS</b> | DRAWING NO. | EDC3-158578-05       |
|            | PART NO.    | FH36W-**S-0.3SHW(50) |
|            | CODE NO.    | CL580                |
|            |             | △ 2/7                |

Mar.1.2024 Copyright 2024 HIROSE ELECTRIC CO., LTD. All Rights Reserved.  
 In case of consideration for using Automotive equipment / device which demand high reliability, kindly contact our sales window correspondents.



|            |             |                      |
|------------|-------------|----------------------|
| <b>HRS</b> | DRAWING NO. | EDC3-158578-05       |
|            | PART NO.    | FH36W-**S-0.3SHW(50) |
|            | CODE NO.    | CL580                |
|            |             | △ 3/7                |

Mar.1.2024 Copyright 2024 HIROSE ELECTRIC CO., LTD. All Rights Reserved.  
In case of consideration for using Automotive equipment / device which demand high reliability, kindly contact our sales window correspondents.

| PART NUMBER          | CODE NUMBER     | NUMBER OF CONTACT | DIMENSION OF CONNECTOR, FPC, PCB MOUNTING PATTERN AND STENCIL PATTERN |      |      |       |       |       |      |      |      |    | DIMENSION OF DRAWING FOR PACKING |      |      |      |      |  |
|----------------------|-----------------|-------------------|-----------------------------------------------------------------------|------|------|-------|-------|-------|------|------|------|----|----------------------------------|------|------|------|------|--|
|                      |                 |                   | A                                                                     | B    | C    | D     | E     | F     | G    | H    | J    | K  | L                                | M    | N    | P    | Q    |  |
| FH36W-11S-0.3SHW(50) | CL580-1625-3-50 | 11                | 4.9                                                                   | 2.4  | 3    | 3.63  | 4.39  | 4.84  | 4.4  | 3.6  | 3.4  | 16 | -                                | 7.5  | 5.1  | 17.4 | 21.4 |  |
| FH36W-15S-0.3SHW(50) | CL580-1623-8-50 | 15                | 6.1                                                                   | 3.6  | 4.2  | 4.83  | 5.59  | 6.04  | 5.6  | 4.8  | 4.6  | 16 | -                                | 7.5  | 6.3  | 17.4 | 21.4 |  |
| FH36W-17S-0.3SHW(50) | CL580-1616-2-50 | 17                | 6.7                                                                   | 4.2  | 4.8  | 5.43  | 6.19  | 6.64  | 6.2  | 5.4  | 5.2  | 16 | -                                | 7.5  | 6.9  | 17.4 | 21.4 |  |
| FH36W-19S-0.3SHW(50) | CL580-1612-1-50 | 19                | 7.3                                                                   | 4.8  | 5.4  | 6.03  | 6.79  | 7.24  | 6.8  | 6    | 5.8  | 16 | -                                | 7.5  | 7.5  | 17.4 | 21.4 |  |
| FH36W-23S-0.3SHW(50) | CL580-1614-7-50 | 23                | 8.5                                                                   | 6    | 6.6  | 7.23  | 7.99  | 8.44  | 8    | 7.2  | 7    | 24 | -                                | 11.5 | 8.7  | 25.4 | 29.4 |  |
| FH36W-25S-0.3SHW(50) | CL580-1610-6-50 | 25                | 9.1                                                                   | 6.6  | 7.2  | 7.83  | 8.59  | 9.04  | 8.6  | 7.8  | 7.6  | 24 | -                                | 11.5 | 9.3  | 25.4 | 29.4 |  |
| FH36W-27S-0.3SHW(50) | CL580-1608-4-50 | 27                | 9.7                                                                   | 7.2  | 7.8  | 8.43  | 9.19  | 9.64  | 9.2  | 8.4  | 8.2  | 24 | -                                | 11.5 | 9.9  | 25.4 | 29.4 |  |
| FH36W-31S-0.3SHW(50) | CL580-1609-7-50 | 31                | 10.9                                                                  | 8.4  | 9    | 9.63  | 10.39 | 10.84 | 10.4 | 9.6  | 9.4  | 24 | -                                | 11.5 | 11.1 | 25.4 | 29.4 |  |
| FH36W-33S-0.3SHW(50) | CL580-1622-5-50 | 33                | 11.5                                                                  | 9    | 9.6  | 10.23 | 10.99 | 11.44 | 11   | 10.2 | 10   | 24 | -                                | 11.5 | 11.7 | 25.4 | 29.4 |  |
| FH36W-39S-0.3SHW(50) | CL580-1620-0-50 | 39                | 13.3                                                                  | 10.8 | 11.4 | 12.03 | 12.79 | 13.24 | 12.8 | 12   | 11.8 | 24 | -                                | 11.5 | 13.5 | 25.4 | 29.4 |  |
| FH36W-51S-0.3SHW(50) | CL580-1605-6-50 | 51                | 16.9                                                                  | 14.4 | 15   | 15.63 | 16.39 | 16.84 | 16.4 | 15.6 | 15.4 | 32 | 28.4                             | 14.2 | 17.1 | 33.4 | 37.4 |  |
| FH36W-61S-0.3SHW(50) | CL580-1611-9-50 | 61                | 19.9                                                                  | 17.4 | 18   | 18.63 | 19.39 | 19.84 | 19.4 | 18.6 | 18.4 | 32 | 28.4                             | 14.2 | 20.1 | 33.4 | 37.4 |  |

HRS DRAWING FOR REFERENCE

|            |             |                      |       |
|------------|-------------|----------------------|-------|
| <b>HRS</b> | DRAWING NO. | EDC3-158578-05       |       |
|            | PART NO.    | FH36W-**S-0.3SHW(50) |       |
|            | CODE NO.    | CL580                | △ 4/7 |

Mar.1.2024 Copyright 2024 HIROSE ELECTRIC CO., LTD. All Rights Reserved.  
In case of consideration for using Automotive equipment / device which demand high reliability, kindly contact our sales window correspondents.

This connector is small and thin and requires delicate and careful handling.  
Read through the instructions shown below and handle the connector properly.  
Each values indicating here are for reference and may differ from standard value.

[INSTRUCTIONS FOR MOUNTING ON THE BOARD]

◆Warp of Board

Minimize warp of the board as much as possible.  
Lead co-planarity including reinforced metal fittings is 0.1 mm or less.  
Too much warp of the board may result in a soldering failure.

◆Flexible board design

Please make sure to put a stiffener on the backside of the flexible board.  
We recommend a glass epoxy material with the thickness of 0.3mm MIN.

◆Load to Connector

Do not add 0.5N or greater external force when unreel or pick and place the connector etc.  
or it may get broken.  
In addition, do not insert the FPC or operate the connector before mounting it.

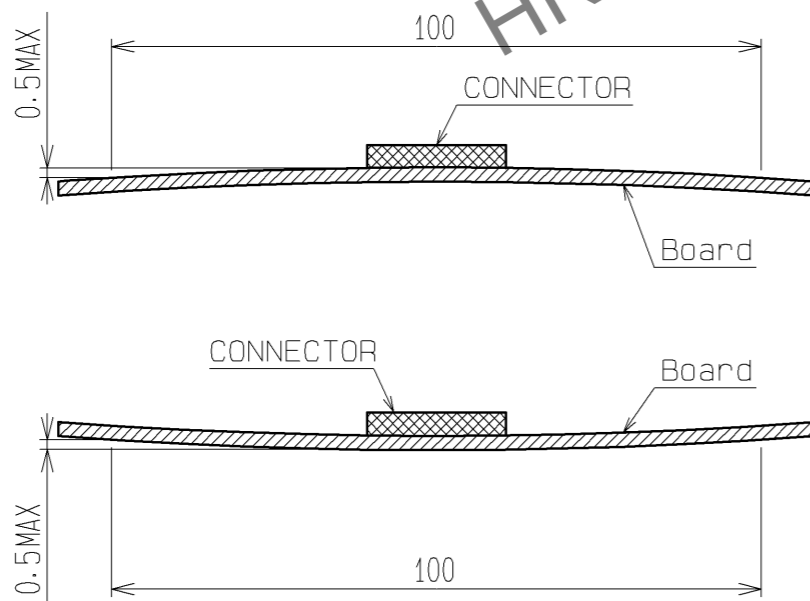
[INSTRUCTIONS FOR PCB HANDLING AFTER MOUNTING THE CONNECTOR]

◆Load to Board

- Splitting a large board into several pieces
  - Screwing the board
- Avoid the handling described above so that no force is exerted on the board during the assembly process.  
Otherwise, the connector may become defective.

◆Amount of Warp

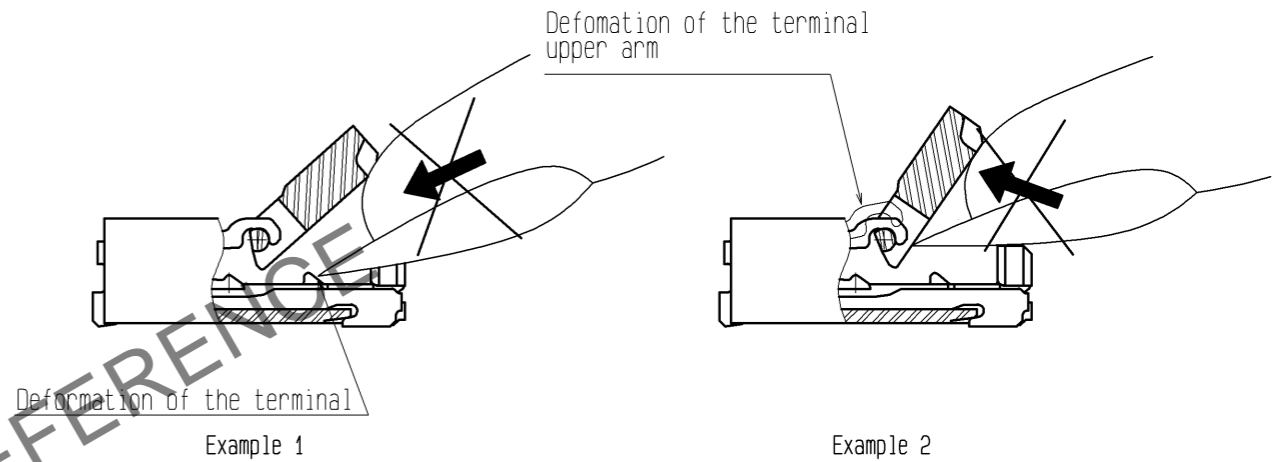
The warp of a 100 mm wide board should be 0.5 mm or less.  
The warp of board suffers stress on connector and the connector may become defective.



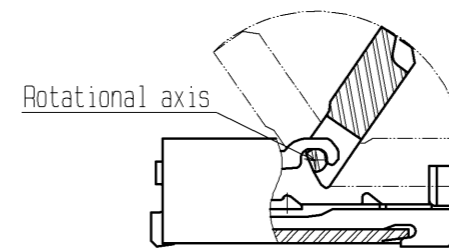
[INSTRUCTIONS ON INSERTING FPC AND CONNECTION]

◆ Use of the actuator

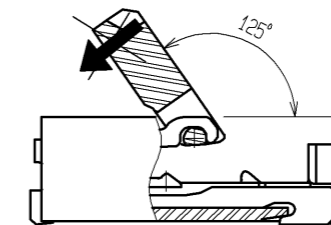
1. Be very careful not to apply excessive force when releasing the actuator in the initial position (with no FPC inserted).  
If you use your nail or finger as shown below, the terminals may be deformed.



2. The actuator rotates around the rotational axis as shown below.  
Rotate the actuator.



3. The actuator will not open more than 125°.  
Do not apply any force backward beyond this point.  
Otherwise, the actuator may come off or break.

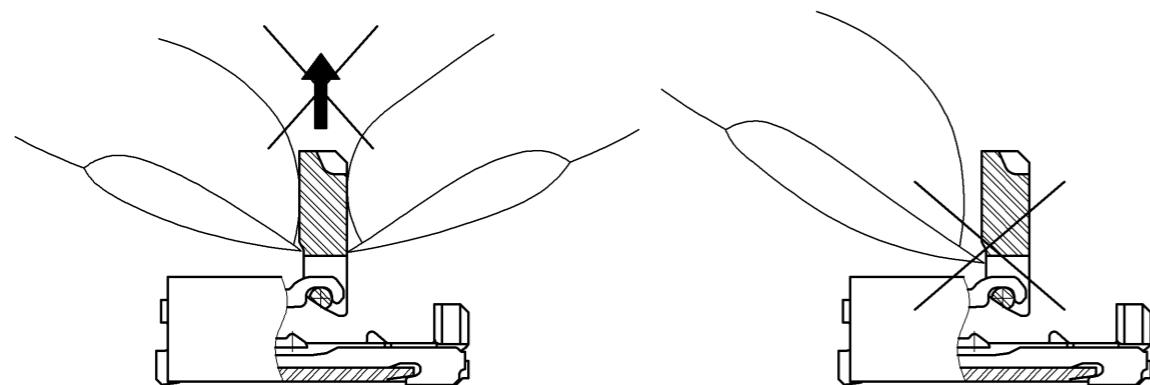


<INSTRUCTION MANUAL 1>

|            |             |                      |       |
|------------|-------------|----------------------|-------|
| <b>HRS</b> | DRAWING NO. | EDC3-158578-05       |       |
|            | PART NO.    | FH36W-**S-0.3SHW(50) |       |
|            | CODE NO.    | CL580                | △ 5/7 |
|            |             |                      |       |

Mar.1.2024 Copyright 2024 HIROSE ELECTRIC CO., LTD. All Rights Reserved.  
In case of consideration for using Automotive equipment / device which demand high reliability, kindly contact our sales window correspondents.

4. Move the actuator at approximately the center.
5. Do not pinch or pick the actuator to lift it as shown below. Otherwise, it may break.  
(Do not carry out any operation other than rotating the actuator as shown in 2 above.)

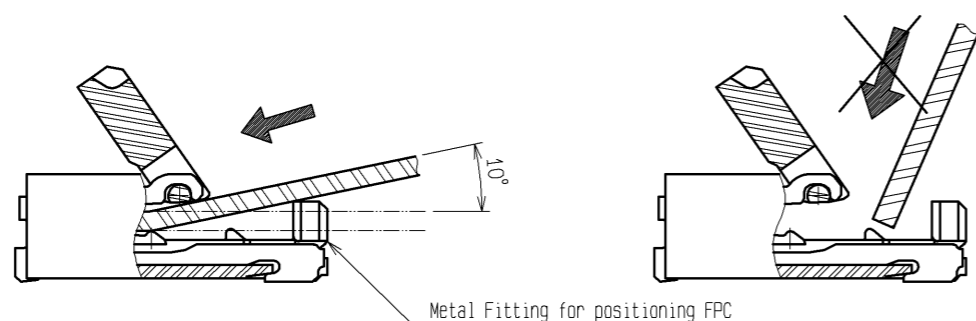


◆Direction of Contacts

This connector has contacts on the bottom. Thus, insert it with the exposed conductors face down.

◆Inserting the FPC

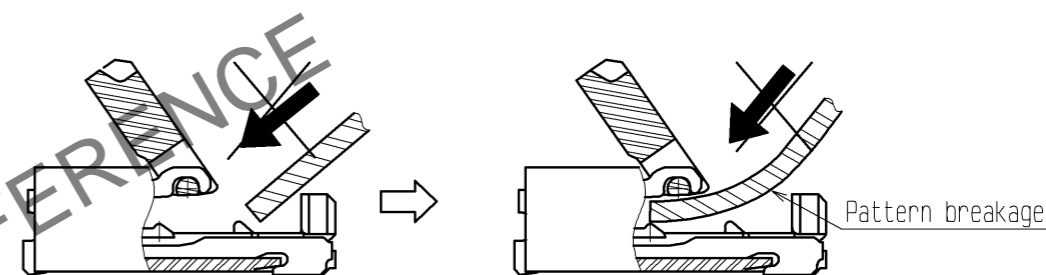
1. Insert the FPC by about 10 degrees along the surface and at a right angle to the connector.  
Insert it properly to the very end.  
If the FPC is inserted at a slant (incorrectly), the conductors may short-circuit due to pitch shift or the edge of the FPC may catch in the terminals, resulting in deformation of the terminals.



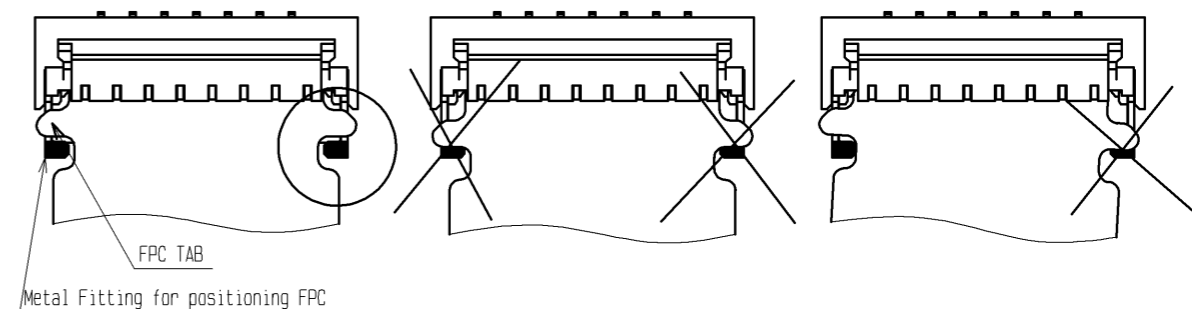
2. Do not insert the FPC diagonally from above.  
If the FPC is inserted at a slant (incorrectly) as shown below in the FPC insertion process, the FPC may bend and patterns may break or the FPC may not insert completely, resulting in improper conduction.

※Keep a sufficient FPC insertion space in the stage of the layout in order to avoid incorrect FPC insertion.  
Besides, it is not difficult to insert FPC correctly all the way to the end.  
Design the proper layout of parts.

※Make adjustments with the FPC manufacturer for FPC bending performance and wire breakage.



3. Do not rotate the actuator when FPC TAB is on Metal Fittings.  
Make sure the position of FPC TAB and Metal Fittings before rotate the actuator.



◆Checking the Locking Condition

In the locked condition, make sure that the actuator is horizontal on the board surface.  
Do not apply excessive force to it near the 0° position of the actuator.  
Otherwise, the terminals may be deformed. (Allowable force: 1 N or less)

<INSTRUCTION MANUAL 2>

|            |             |                      |
|------------|-------------|----------------------|
| <b>HRS</b> | DRAWING NO. | EDC3-158578-05       |
|            | PART NO.    | FH36W-**S-0.3SHW(50) |
|            | CODE NO.    | CL580                |
|            |             | △ 6/7                |

Mar.1.2024 Copyright 2024 HIROSE ELECTRIC CO., LTD. All Rights Reserved.  
In case of consideration for using Automotive equipment / device which demand high reliability, kindly contact our sales window correspondents.

[INSTRUCTIONS ON FPC LAYOUT AFTER CONNECTION]

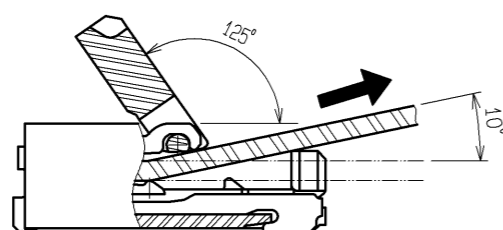
◆Load to FPC

Be very careful not to apply any force to the FPC after inserting it.  
Otherwise, the connector may become unlocked or the FPC may break.  
Fix the FPC, in particular, when loads are applied to it continuously.  
Design the FPC layout with care not to bend it sharply near the insertion opening.



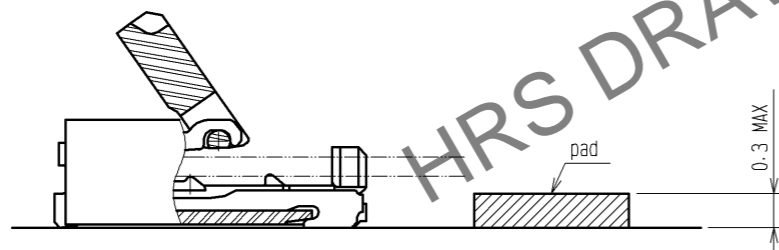
[INSTRUCTIONS ON REMOVING FPC]

◆Release the actuator to remove the FPC.



[OTHER INSTRUCTIONS]

In case a pad to support FPC is set in front of connector, that pad needs to be 0.30 MAX



◆Instructions on Manual Soldering

Follow the instructions shown below when soldering the connector manually during repair work, etc.

1. Do not perform reflow soldering or manual soldering with the FPC inserted into the connector.
  2. Do not heat the connector excessively. Be very careful not to let the soldering iron contact any parts other than connector leads. Otherwise, the connector may be deformed or melt.
  3. Do not use excessive solder (or flux).
- If excessive solder (or flux) is used on the terminals, solder or flux may adhere to the contacts or rotating parts of the actuator, resulting in poor contact or a rotation failure of the actuator.  
Supplying excessive solder to the reinforcing bracket may hinder actuator rotation, resulting in breakage of the connector.

HRS DRAWING FOR REFERENCE

<INSTRUCTION MANUAL 3>

|            |             |                        |
|------------|-------------|------------------------|
| <b>HRS</b> | DRAWING NO. | EDC3-158578-05         |
|            | PART NO.    | FH36W- ** S-0.3SHW(50) |
|            | CODE NO.    | CL580                  |
|            |             | △ 7/7                  |